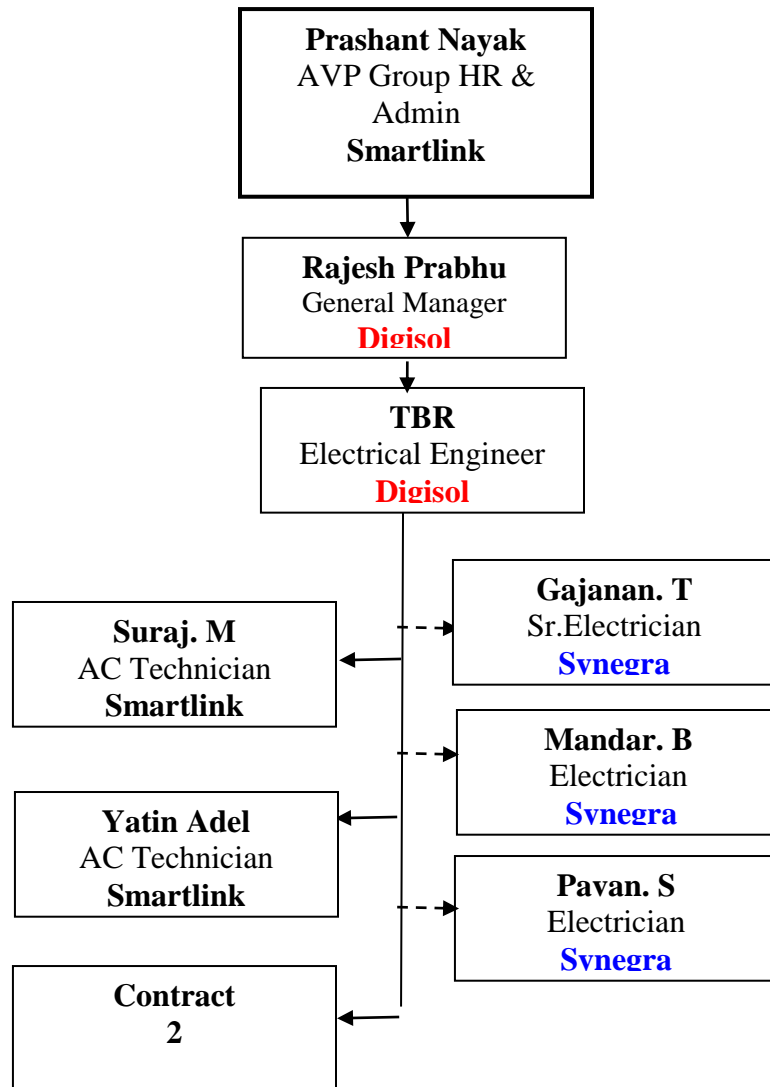




ORGANISATION CHART
Maintenance Department

Ref.No: Q/OC/HRD/GN-
MAINT/001
Rev.No : 2
Eff.Date: 1-12-2016



	PAGE 1	Drafted & Checked By: Assistant Manager-HR	Approved By: AVP Group HR & Admin
--	---------------	---	--

Disclaimer : The Org Chart shows only reporting authority. The placement of the employees in the chart does not represent their hierarchy / position